

S-VIDEO (Y/C) & CV SE-500



ACCESSORIES (OPTIONAL)



TLM-702 2 x 7" LCD monitor bank



TLM-702 monitor bank holder

SE-500 Quad Screen

Superimposed tally & next effect indicator



Transition effects display

The SE-500 uniquely displays all four input sources via a single quad output.

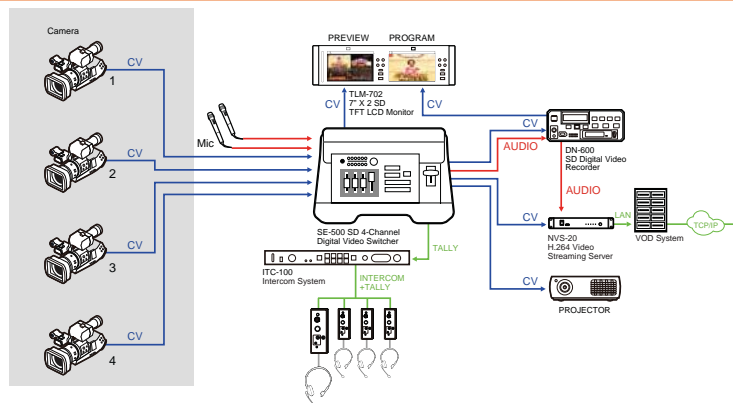
The SE-500 uniquely displays all 4 input sources via a single quad Output, including a superimposed tally indicator on each input, meaning you only need two video monitors - one for all four inputs, one for output. The input display will automatically change to preview the next transition. Features include Dissolve, Fade, Wipes, Splits, PIP and Colour Processor. Channels are internally synched via a built in dual Channel TBC 4:2:2 frame synchroniser. The SE-500 can be manually operated or controlled via RS-232 & MIDI interface.

The Datavideo SE-500 is a compact and light weight, four channel analogue input, digital processing video switcher with S-Video (Y/C) and Composite Video inputs. In addition to S-Video and Composite Video, the SE-500 also provides Component (Y:U:V) output. The SE-500 is ideal for applications within education, seminars, small studios, clubs, pubs and many more.

FEATURES

- Digital Processor, high image quality
- Illuminated control buttons
- T-Bar control of digital video effect transitions
- 4 S-Video or composite video inputs
- Optional Y:U:V via breakout cable
- RS-232 Remote control interface
- MIDI Control interface
- Tally output
- Audio mixer with 2 mic channels plus aux inputs
- Color processor for video correction
- Quad video preview monitor output with tally indicators on TV screen
- Digital video effects Split, PIP, Wipe, Fade and Quad display effect

SETUP DIAGRAM



FEATURES



High quality digital processor



Colour processor for video correction



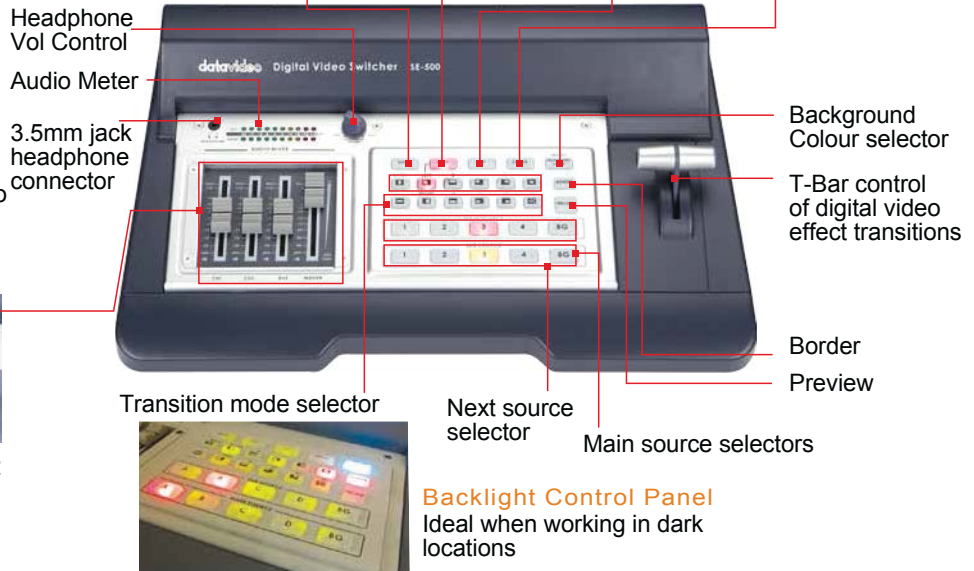
Built in audio mixer with 2 microphone channels, 1 aux video source input

Special effect selector

QUAD SPLIT PIP FREEZE

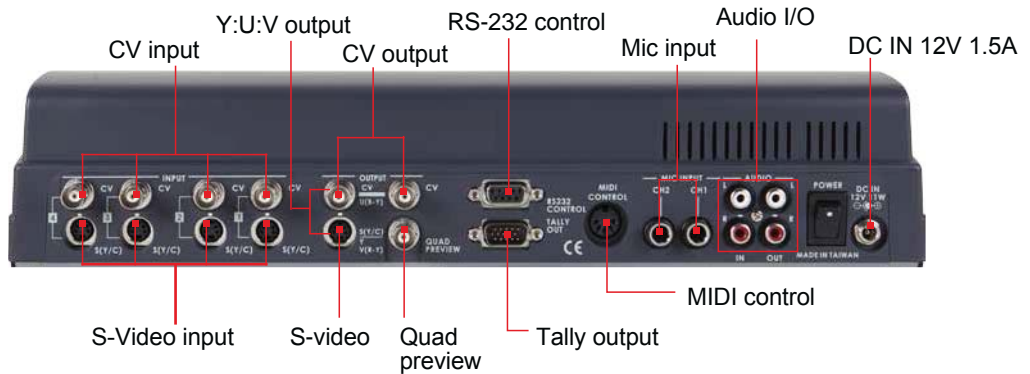


FRONT VIEW



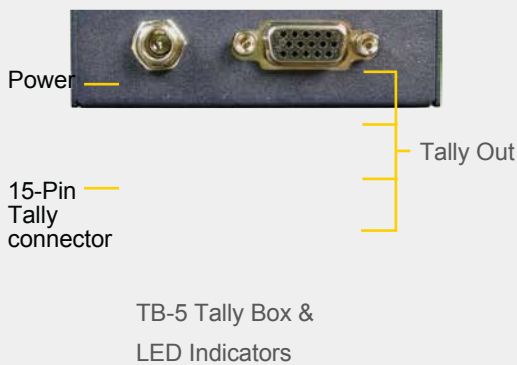
No genlock is required thanks to the built in dual channel TBC and frame synchroniser

REAR VIEW

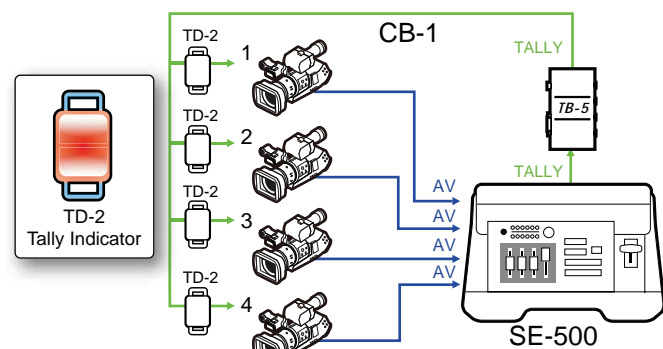


ACCESSORIES (OPTIONAL)

TB-5 TALLY BOX & INDICATORS (OPTIONAL)



TB-5 Tally Box & TD-2 Indicators



ACCESSORIES (OPTIONAL)

Ethernet Remote Controller RMC-150

RMC-150 Ethernet Remote Control box is a PC/Network control box. Allows full control of SE-500 using Datavideo's free software (Available from our website)



REAR VIEW



Connection Diagram



Remote control software

Connect The SE-500 direct to a RS-232 port on a computer to control the switcher with software

System Requirements

- CPU: Pentium 4, 2.4GHz
- RAM: 512MB RAM
- Screen Resolution: 1024x768
- OS: Windows XP™



ACCESSORIES (OPTIONAL)



DN-200
SD video recorder



DN-600
SD video recorder



DN-700
SD video recorder



BAC-03
Balanced/ unbalanced audio converter



ITC-100
Intercom system



TLM-702
7" X 2 SD LCD monitor



TLM-700
7" SD LCD monitor



DVK-200
SD chromakey



CKL-300
Dual color chromakey system



TB-5
Tally box